

## **H2S** Hollow Shaft Servomotor

For Defence & Security, Aeronautic, Civil and Scientific applications



### COMPACT TECHNOLOGY

- Direct Drive Motor
- Integrated solution
- Hollow shaft
- Reduced mass

### PERFORMANCES

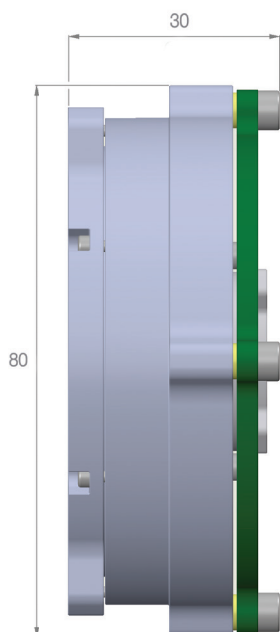
- High precision encoder
- High torque developed by a brushless motor
- High velocity
- High stiffness
- Low inertia
- Low friction torque
- Repeatability between products

# Hollow Shaft Servomotor

Servomotors developed by ADR are designed to reach a high angular precision and a strong stiffness while keeping a low mass in a limited volume. The design made with an hollow shaft allows an easy integration of cables, slip rings or other equipment.

In order to meet varying customer specifications, ADR develops different families of standard servomotors with their own outstanding characteristics. All products can be modified or adapted to meet specific requirements (load case, specific environment, etc.).

## Technical Data



Characteristics		
Bearing	ADR	-
Weight	300	grams
Operating temperature	[-40°C ; +65°C]	°C
Dimensions		
External diameter	80	mm
Inner diameter	10	mm
Thickness	30	mm
Motor		
Technology	Brushless	-
Max. torque under 32.7V	0.36	Nm
Encoder		
Type	Absolute	-
Technology	Magnetic	-
Resolution	18	bits
Accuracy	<20	mDeg

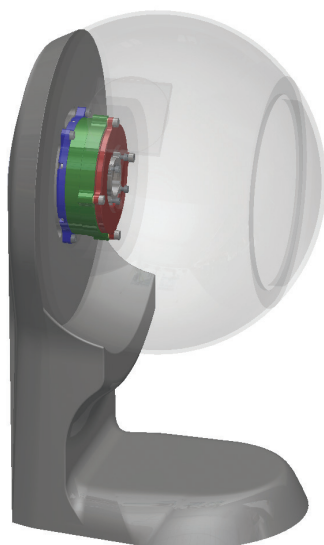
## Applications

### Defence & Security

- Electro-optical system
- Land & Marine Sight

### Civil & Scientific

- Nuclear application
- Robotics



### Aeronautics

- Electro-hydraulic & cooling system
- Flight instrumentation & control
- Air conditioning system